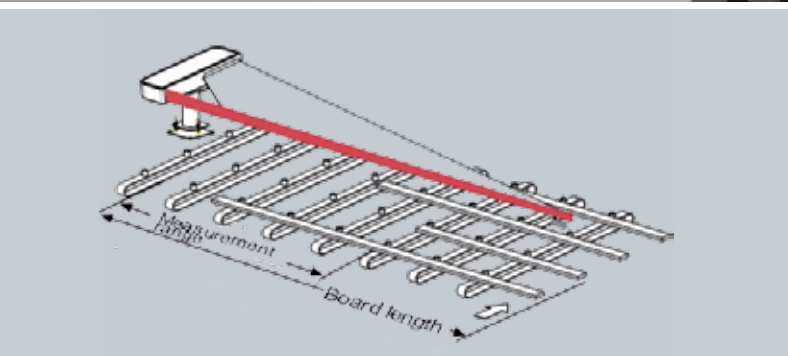


LMS6048

Length Gauge



- *Non-contact length gauge*
- *High measurement accuracy*
- *Easy to install in new and existing production lines*
- *No moving parts, no mechanical wear, long durability*
- *80 mm Height Vision*



Technical details

The LMS 6048 is mounted at the side of transversal conveyors. The distance to the near end of each passing board is measured. With reference to the boards other end the length can be calculated. The gauge is equipped with LIMAB's patented HeightVision technology that allows even very thin boards, bent, twisted or jumping boards

to be reliably measured. The gauge has a measuring range of 4.8 m which for example means that it is able to measure any board lengths from 1.8 m to 6.6 m with mm resolution.

Stacker measurement (SLMS)

The LMS6048 length measuring gauge is perfectly suited to measure board stacks. The gauge is mounted on the side of the conveyor and measures layers of boards as they move to the stacker layer. The system PC software will record all individual boards and the total board length of the stacker.

A convenient statistical report is generated with printing options.



LMS6048

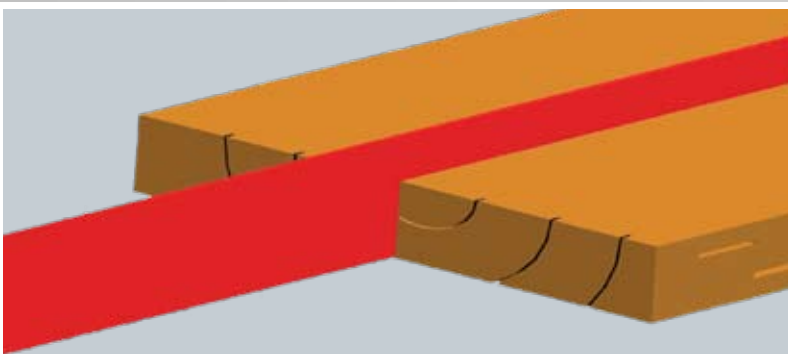
The LMS6048 is a non contact length measurement system that works as a stand-alone gauge or integrated in to automated systems.

Today modern sawmills and the wood processing industry is required to automate the process as much as possible. The use of non contact laser systems to measure length to mm accuracy helps to achieve this goal. The "LIMAB length gauge" has over the past 20 years with over 800 installation become the industry standard for this application.

The gauge measures across the conveyor against an end stop on sawn or planned boards with mm accuracy. Due to the 80 mm height vision a very high accuracy is achieved even when the boards are bowed or twisted.

The sorting mill uses the raw length to minimize cut waste to better meet the customer's requirements.

Where the boards are not referenced to an end stop a gauge can be mounted on both sides of the conveyor to accurately measure the board length irrespective of its positioning. In this case we use our PreciCura MR/LR model with 30 mm height vision.



LIMAB HeightVision (patented)

The LMS6048 uses LIMAB's patented HeightVision technology. The laser uses an 80 mm height laser line instead of a small spot to ensure that very thin, bent, twisted or jumping boards are not missed. This unique technology means that distorted boards also will be measured accurately and reliably.

The sensitivity of the gauge enables accurate measurements even on boards with dark and uncutted edges.

Setup of the sensor

Calibration and configuration is easily done with the built in keyboard and display on the sensor.

Technical specifications

LMS6048

Measurement range	4800mm e.g. board length of 2,0 - 6,8m
Stand Off	850mm
Resolution	1mm
Exposure time	0,2 - 100ms, automatically adjusted
Height Vision Xmin/Xmax	80/55mm (line length at near/far of measuring range)
Repeatability	+/- 1,5mm within 2σ
Measurement frequency	1000Hz
Power supply	18...36 VDC
Power consumption max.	10W
Laser class	3B

Weight	25kg
Weight incl. bracket	35kg
Storage temperature	-20 .. +70°C
Operating temperature	0 .. +40°C
Industrial protection class	IP52

Standard delivery range:

LMS6048 Length Gauge
 Right and Left version
 Power supply 18...36 VDC
 85-255 Vac, 40..100Hz
 Serial RS232, CAN-Bus and
 Parallel Interface

Mounting foot 96433

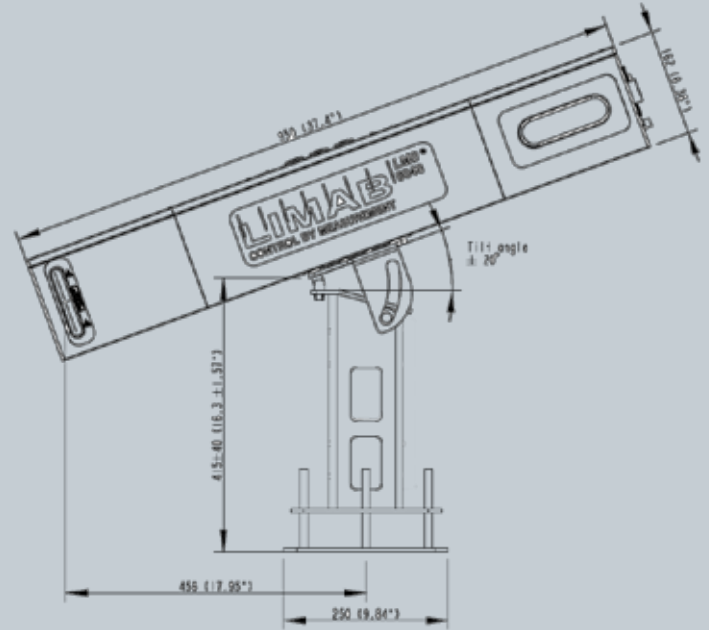
Programming kit 96235
 Cable PC – PreciCura, Length = 5 m
 Windows Set-Up software Disc

Options:

Power supply unit 96458
 85..255 VAC power supply For LMS 6048,
 incl. box for Mounting on the stand

Big display 96016
 External display for HOST Interface,
 5 digits, 100 mm LCD

Photocell for trigger of the Boards, to avoid measuring
 On pushers. PNP type. Incl. 5 m cable.



We reserve the right to introduce modifications without prior notice.



LIMAB were founded almost 30 years ago and have a long tradition of producing laser sensors and non contact measuring systems to meet the needs of the sawmill industry. The headquarters and manufacturing plant is located in Gothenburg, Sweden. LIMAB have regional offices in the USA, Finland, Germany and the UK and is represented in other parts of the world directly from Sweden or via representatives, agents and partners. Today we have customers benefitting from using our measuring systems in sawmills in the Nordic countries, Europe and North America.



LIMAB North America Inc.
 9301 Monroe Road, Suite B
 Charlotte, NC 28270
 USA
 Tel: 001 (0) 704 321 0760
 www.limab.com

LIMAB Oy
 Henry Fordin Katu 5K
 FIN 00150 HELSINKI
 Finland
 Tel: 00358 947 80 36 68
 www.limab.fi

LIMAB GmbH
 Mitterlangstr. 28
 D-82178 Puchheim
 Germany
 Tel: 0049 (0) 89 84058320
 www.limab.de

LIMAB UK Ltd
 Unit 1J Chelston Business Park
 Wellington
 Somerset, TA21 9JQ UK
 Tel: 0044 (0) 1823 668633
 www.limab.co.uk



Exportgatan 38 B
 SE-422 46 HISINGS BACKA, Sweden
 Phone +46 (0)31 - 58 44 00
 Fax +46 (0)31 - 58 33 88
 sales@limab.se - www.limab.com